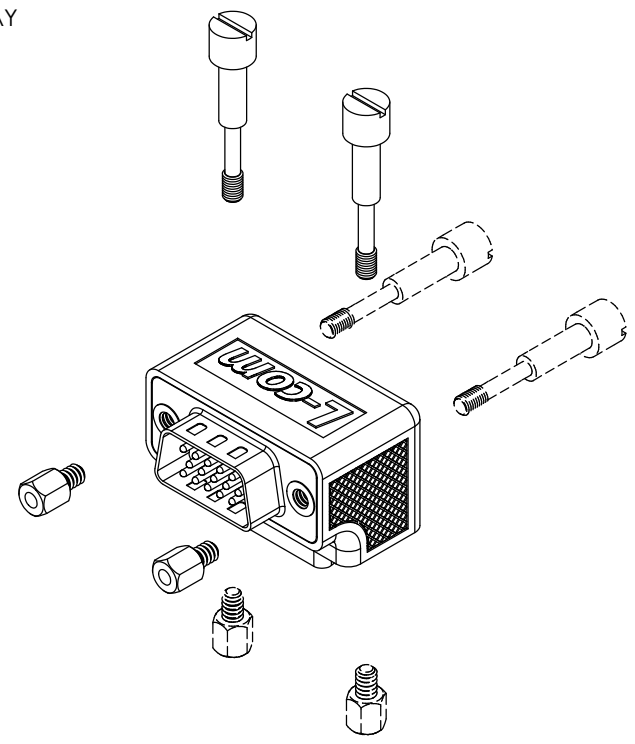
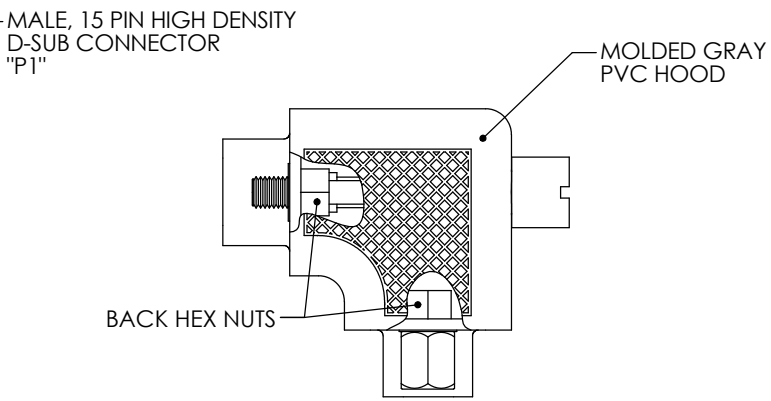
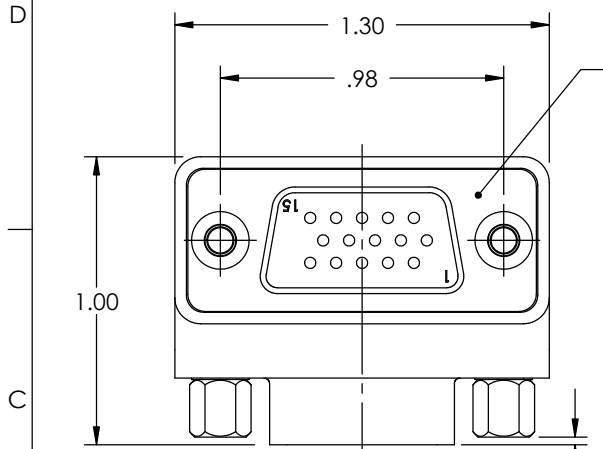
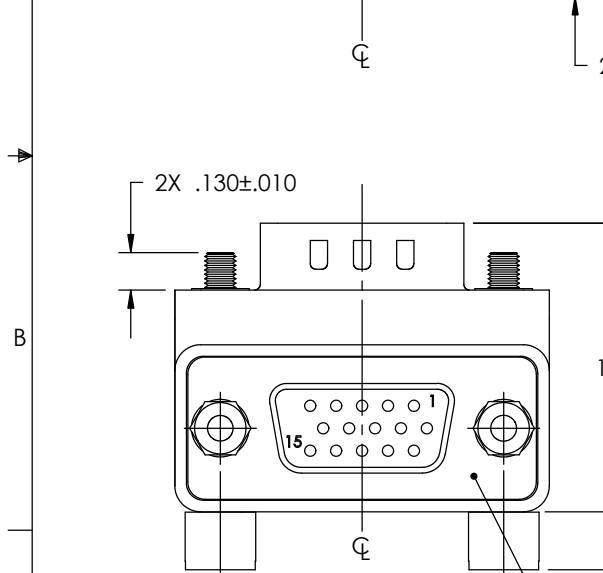


THE INFORMATION CONTAINED IN THIS DRAWING IS THE SOLE PROPERTY OF L-COM, INC. ANY REPRODUCTION IN PART OR WHOLE WITHOUT THE WRITTEN PERMISSION OF L-COM, INC. IS PROHIBITED.

REVISIONS			
REV	DESCRIPTION	DATE	APPROVED
A	INITIAL RELEASE	04/01/05	M.LAHEY
B	ECN#2094: CORRECTED WIRE TABLE	05/26/05	M.LAHEY



HARDWARE CAN BE CONFIGURED AS SHOWN ABOVE.



FEMALE, 15 CONTACT HIGH DENSITY D-SUB CONNECTOR "J1"

WIRING TABLE	
P1	J1
1	1
2	2
3	3
4	4
5	5
6	6
7	7
8	8
9	9
10	10
11	11
12	12
13	13
14	14
15	15
SHELL	SHELL

NOTE:  
1. PRODUCT SHIPPED WITH HARDWARE CONFIGURED AS SHOWN ABOVE.

UNLESS OTHERWISE SPECIFIED, DIMENSIONS ARE IN INCHES. TOLERANCES ARE:  
 .X ±.1  
 .XX ±.05  
 .XXX ±.005  
 CABLE LENGTH TOLERANCE  
 <300" ±5% >300" ±2%

APPROVALS	DATE
DRAWN BY M.LAHEY	04/01/05
CHECKED BY C.McCORMICK	04/01/05
APPROVED BY D.PARHAM	04/01/05

CONFIGURATION DETAILS OF UNDIMENSIONED FEATURES MAY VARY

		45 BEECHWOOD DRIVE NORTH ANDOVER, MA 01845	
PRODUCT DESCRIPTION HD15 MALE /HD15 FEMALE RIGHT ANGLE ADAPTER			
DRAWING TITLE <h2 style="text-align: center;">OUTLINE DRAWING</h2>			
SIZE <b>A</b>	FSCM NO. <b>43321</b>	DWG. NO. <b>DG90H15MF1-OD1</b>	REV <b>B</b>
SCALE: 1:0.64 (64) FILE: DG90H15MF1-OD1.SLDDRW			SHEET 1 OF 1